



PoolScout

PoolScout Wireless Owner's Manual



SAFETY INSTRUCTIONS.....	1
CAMERA INITIALIZATION.....	2
CAMERA MOUNTING.....	3-4
SOLAR PANEL MOUNTING.....	5
POOL SETTINGS.....	6
TROUBLESHOOTING SPECIFICATIONS.....	7
NOTIFICATION OF COMPLIANCE.....	8



For additional information and assistance



IMPORTANT SAFETY INSTRUCTIONS

When using electrical equipment, basic safety precautions should always be followed, including:

READ AND FOLLOW ALL INSTRUCTIONS

WARNING: Read all instructions and requirements before installation. If necessary, contact a trained, approved technician.

WARNING: Use only appropriate power adapter and cables as described in this manual. **Inappropriate cables and adapters may not work with your PoolScout camera and may cause damage.**

WARNING: Disconnect power before servicing. There are no user serviceable parts inside the camera or alarm.

WARNING: All power cords should be inspected frequently. Any damaged power cords must be replaced immediately to reduce the risk of electric shock.

WARNING: Install in accordance with local building and installation codes.

WARNING: Mount camera and alarm in a safe area not subject to damage by moving objects.

WARNING: Keep camera and components out of reach of children and pets.

WARNING: PoolScout is not a substitute for constant pool supervision by a responsible adult. The PoolScout System, including any sensors, cameras, software, and alarms are NOT a substitute for personal, adult supervision of pool activities and pool patrons, or the pool safety measures required by the Virginia Graeme Baker Pool & Spa Safety Act.

WARNING: When you place the PoolScout System in "Shut Down" mode or "Disarm", the PoolScout System will NOT operate to accomplish the Purpose; and all its pool safety functionality will be disabled and it will NOT work to detect or warn you of any hazardous conditions associated with your Pool or any Pool Patron.

Model		
PSKITB		

SAVE THESE INSTRUCTIONS



Initialize PoolScout Camera and App

- Using the pool owner's phone or other mobile device, install the PoolScout App from the App Store® or Google Play®.
- Note that this step does not have to be conducted by the final mounting point of the camera but is recommended so as to ensure your Wi-Fi connection is strong and stable.

Step 1

Turn On the camera by pressing briefly on the button. The on/off button is hidden under the weatherproof cover, on the underside of the camera. An audible prompt should follow.



Step 2

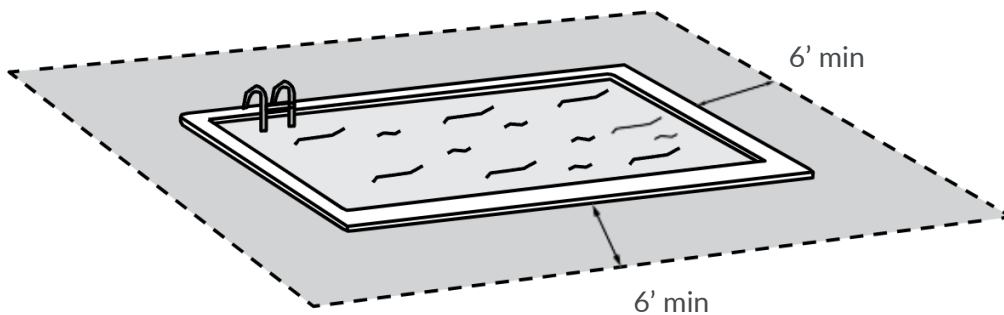
Open the PoolScout App and follow the instructions to setup your account. If you are an installer, please select Installer Mode.

Once the initialization is complete, proceed to mounting the camera and the solar panel per the instructions inside the App and in the next chapter Camera Mounting.

Camera Mounting

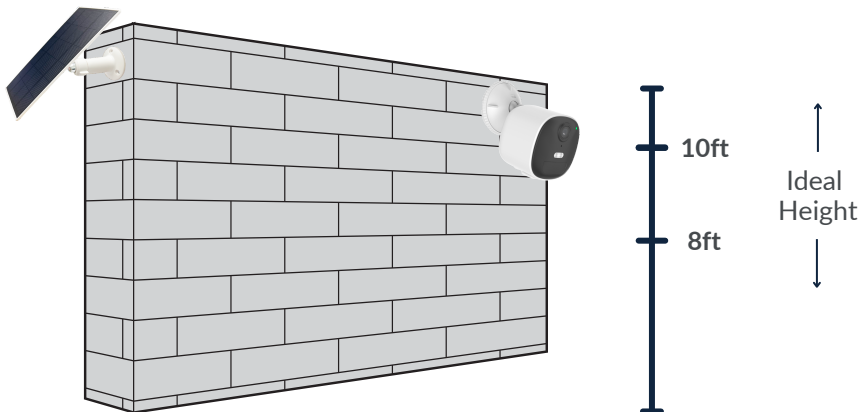
Before installation, give thought to a suitable mounting location and how you will route wiring from the solar panel to the camera unit.

The ideal mounting height for the PoolScout Camera is 8-10 feet off of the ground, pointing towards the pool. The final mounting location should allow for a clear view of the entire pool and surrounding area at all times. Do not allow anything such as sunshades, basketball hoops or other poolside objects to block the camera's view, even temporarily.



The ideal mounting location:

- should provide an unobstructed view of the pool and at least **6 feet** of the surrounding area
- should be **8-10 feet** off the ground
- shouldn't interfere with its surroundings or be vulnerable to damage
- Allow for power cable routing from the solar panel unit



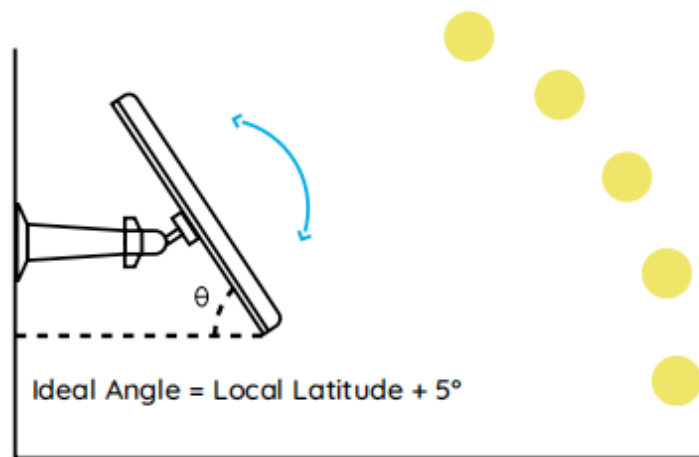
Camera Mounting

Installation Tips

- **Ensure the camera mounting position is well in range of your home router as PoolScout requires a strong and stable internet connection at all times**
- Do not face the camera towards any light sources.
- Do not point the camera towards a glass window as it may result in poor image performance due to window glare by infrared LEDs, ambient lights or status lights.
- Do not place the camera in a shaded area and point it towards a well-lit area. Or, it may result in poor image performance. For better image quality, please make sure that the lighting condition for both the camera and the capture area is the same.
- For better image quality, it's recommended to clean the lens with a soft cloth from time to time.
- Make sure the power ports are not exposed to water or moisture or blocked by dirt or other elements.
- Do not install the camera at places where rain and snow may hit the lens directly.
- The camera may work in extreme cold conditions as low as -25°C .

Solar Panel Mounting

- **Find a suitable location for the solar panel**
 - Choose a location for your solar panel that gets the most sunlight throughout the year
- Use the mounting template and screws to place and install the bracket
- Slot the solar panel into the bracket and make sure that it is secure
- Connect the solar panel unit to the base bracket and position the angle of the solar panel carefully so that as much of the surface of the solar panel is directed at sunlight
- Then connect the Type-C cable to the camera unit.



Notes:

- Ensure that the solar panel is unobstructed, as even a slight blockage can significantly reduce energy harvesting efficiency.
- Avoid installing the solar panel completely horizontally to prevent the easy accumulation of dust and debris.
- It is recommended to install the solar panel at an angle to maximize direct sunlight exposure.
- Regularly wipe the solar panel to eliminate any dust or debris.

Initialize Pool Settings

Step 1

Ensure that the PoolScout Camera is initialized as shown on page 3 and that all components are connected as shown in the mounting diagram page 4-5.

- It may take a few minutes for the camera to connect and apply any available updates.
- Connect the Solar Panel power cable to the camera unit.

Step 2

Follow the instructions **in the PoolScout App** to set up the pool, allowing the system to detect the pool boundaries and enable the Activity Zone.

- To avoid unnecessary alarms from unwanted areas, it is crucial to properly set up the Activity Zone.

Step 3

Complete the setup and invite guests to your account in the PoolScout App.

- To complete the account setup, the app will guide you through the steps for the Pool Setup and adding People to your PoolScout account.
- Enjoy your pool with the added level of comfort and security that your PoolScout Home system provides!
- **Reminder:** The PoolScout System, including any sensors, cameras, software, and alarms are NOT a substitute for personal, adult supervision of pool activities and pool patrons.

Troubleshooting

No Power to the Camera or Alarm Unit

If you find your camera is not powering on, try the following solutions:

- Ensure the camera unit is charged by using the USB-C cable provided.
- Please check whether the solar panel is properly connected or not. Try to plug the camera into a type-c power source and see if it works.
- Use the reset button.

Specifications

Hardware Features

Camera Unit

- Wireless connection WiFi 2.4GHz 802.11b/g/n
- IR Range: 60ft (2 IR LED)
- Built-in siren of 80db
- Two-way talk (coming soon!)
- 2.8mm lens
- IP66 weatherproof
- Size 108×75×75mm
- Working Temperature -30°~50°C
- NDAA Compliant

Solar Panel

- IP66 weatherproof
- 6W 1.2A
- USB-C output cable (10ft)

Notification of Compliance

FCC Compliance Statement

This device complies with Part 15 of FCC Rules. Operation is subject to the following two conditions: (1) this device may not cause harmful interference, and (2) this device must accept any interference received, including interference that may cause undesired operation.

Simplified EU Declaration of Conformity

Deep Innovations declares that this device is in compliance with the essential requirements and other relevant provisions of Directive 2014/53/EU.

Correct Disposal of This Product

This marking indicates that this product should not be disposed with other household wastes throughout the EU. To prevent possible harm to the environment or human health from uncontrolled waste disposal, recycle it responsibly to promote the sustainable reuse of material resources. To return your used device, please use the return and collection systems or contact the retailer where the product was purchased. They can take this product for environmentally safe recycling.

Limited Warranty

This product comes with a 1-year limited warranty that is valid only if purchased from the PoolScout Official Store or a PoolScout authorized resellers.

Terms and Privacy

Use of the product is subject to your agreement to the Terms of Service and Privacy Policy at poolscout.co. Keep out of the reach of children. PoolScout is not a substitute for constant adult pool supervision. The PoolScout System, including an sensors, cameras, software, and alarms, are not a substitute for personal, adult supervision of pool activities and pool patrons, or the pool safety measures required by the Virginia Graeme Baker Pool & Spa Safety Act.

ISED Radiation Exposure Statement

This equipment complies with RSS-102 radiation exposure limits set forth for an uncontrolled environment. This equipment should be installed and operated with minimum distance 20cm between the radiator & your body.

OPERATING FREQUENCY

(the maximum transmitted power)
2412MHz–2472MHz (19dBm)





For additional help, visit: poolscout.co

support@poolscout.co

[+1 737 252 7665](tel:+17372527665)

Please scan the QR code provided for additional information and assistance.

